

FT »


VICE VERSA - WALL

TECHNICAL DATA



IP20	100 lm/W	CRI > 80/>90	UGR<17	DIMMABLE 1-10V/DALI Optional
------	-------------	-----------------	--------	---

High efficient LED wall light slimline flat construction, direct-indirect lighting with impressive lighting uniformity and creates harmonious room atmosphere, homogeneous illumination without hard shadows and minimised glare with a high level of visual comfort, integrated driver, material made of 6063AL aluminium alloy with visible luminaire height of 30mm, best suitable for hospital, hotels, residential applications.

DRIVER	<p>Lighting Control</p> <p>Standard <input type="checkbox"/> Phase Dim. <input type="checkbox"/> 1-10V <input type="checkbox"/> DALI <input type="checkbox"/></p>
CRI	<p>Standard</p> <p><input type="checkbox"/> CRI >80</p>
BEAM ANGLE	 <p>120°</p>
FINISH	<p><input type="checkbox"/> White (WH) <input type="checkbox"/> Silver (SL)</p>

TECHNICAL DATA

LED	: CREE LED
MacAdam Step	: SDCM <3
Luminaire Efficacy	: 100 lm/W (@4000K)
Lifetime	: L ₈₀ B ₁₀ 50,000Hrs, Ta@25°C
UGR	: < 17

GENERAL

Mounting	: Surface Mounted, Indoor
Housing	: 6063 Aluminium
Heatsink	: Aluminium
Diffuser	: PMMA
Driver Mounting	: Integrated
Emergency kit	: Not available

IP Rating	: IP20
IK Rating	: IK04
Protection Class IEC	: II
Energy Class	: A++
Working Temp.	: -20° to 50°C
Glow-wire test	: 650°
Weight	: -
Warranty	: 3 yrs (extendable to 5 yrs)

3000K 4000K 6000K



FT »

VICE VERSA - WALL

TECHNICAL DATA

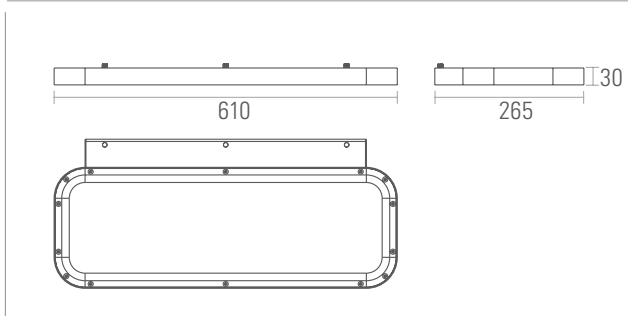


VICE VERSA - WALL

COLOR TEMP.	POWER	LUMENS	CODE
4000K	↓ 20 W x 20 W ↑	↓ 2000 lm x 2000 lm ↑	INT04211
5000K		↓ 2150 lm x 2150 lm ↑	INT04212

3000K 4000K 6000K

DIMENSION



NOTES

CE RoHS

PROJECT	
LUMINAIRE REF.	
QUANTITY	
DATE	
Contact Name	
Mobile	
Email	

•
•
www.switch-made.com

Updated on November 27, 2019

All technical specifications and datas are subject to modification at any time and without notice.
The rated values (@ta25°C) of luminous flux and electrical load are subject to initial tolerance of +/- 10%. Tolerance of CCT are subject to +/- 150K.