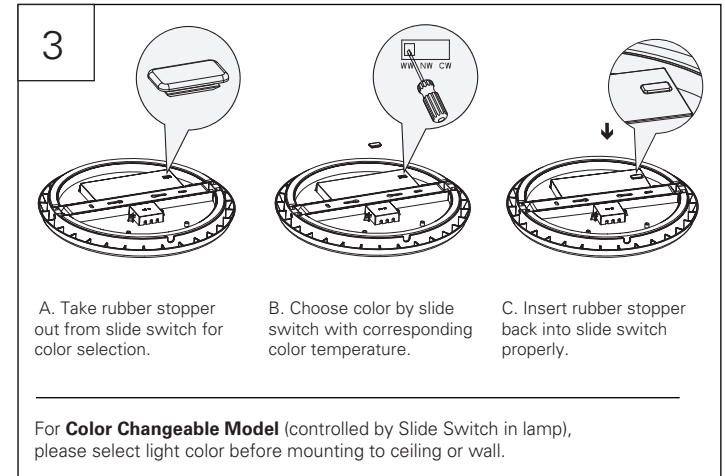
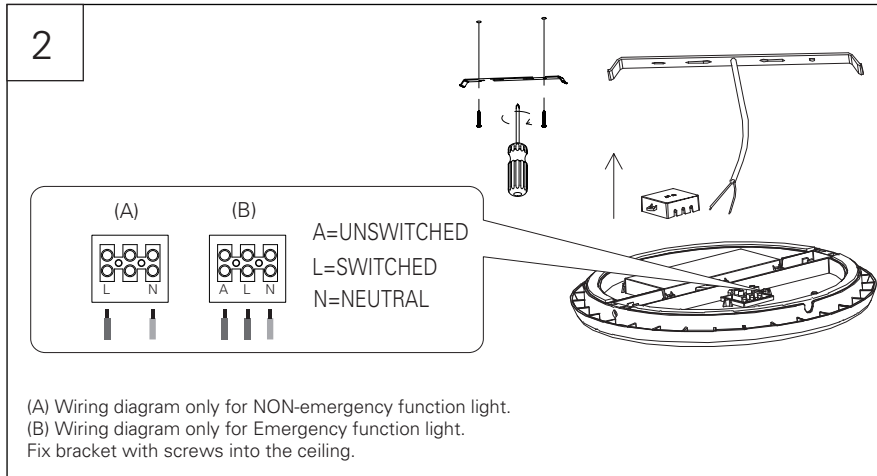
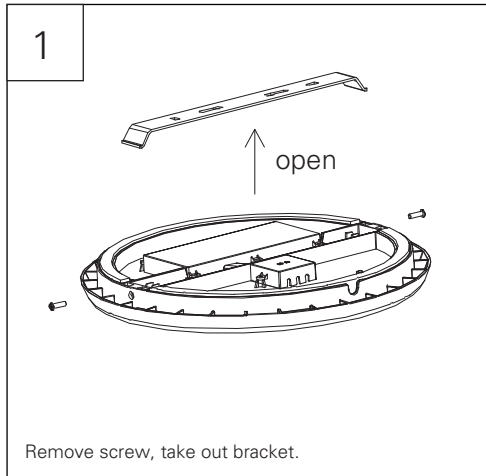


# TRIO



Surface Mounted



**! WARNING** \* Turn off the power supply before installation or removal  
\* Supply connection and other external wiring conductor shall be at least 1.0mm<sup>2</sup> and confirm to 60245IEC57

**FR**

**NOTES ET CONSIGNES DE SÉCURITÉ**

**! ATTENTION :** Veuillez lire attentivement le présent manuel avant d'installer, d'utiliser le produit présenté ci-après. La non observation des instructions et recommandations peut entraîner un risque de blessure personnelle et/ou de dommage matériel. L'installation du produit doit être réalisée par des Professionnels Qualifiés uniquement. Quand le luminaire est en marche, la surface de ce produit peut devenir chaude, c'est normal ne vous inquiétez pas. Ce produit ne nécessite pas de maintenance. En cas de panne, contactez notre service technique. Ne jetez pas ce produit, apportez-le dans un endroit spécifique pour le recyclage. Ne tirez pas ou ne soulevez pas le produit en attrapant le câble. Les produits doivent être installés (pour la France) selon les prescription de la norme NFC15-100 par un professionnel qualifié.

**GB**

**NOTES AND SAFETY INSTRUCTIONS**

**! CAUTION :** Read this guide before installing, using the product. Failure to observe the instructions and recommendations may cause a risk of personal injury and/or material damage. Must be installed only by Qualified Professional people. When the light is working, the surface of the product will become hot, it is normal, don't worry. This product is maintenance free. In case of problems, contact our technical service. Do not abandon this product, put it in the specific place for recycling. Do not pull or lift up the product by catching the wire. The products must be installed according to the regulations effective in the country of installation by a qualified professional.

**D**

**BEMERKUNGEN UND SICHERHEITSHINWEISE**

**! ACHTUNG :** Bevor Sie dieses Produkt installieren und benutzen, lesen Sie bitte aufmerksam diese Anleitung. Das Nichtbeachten der Anleitungen und der Sicherheitsmassnahmen kann zu Körperverletzung und/oder Sachschaden führen. Die Installation und die Inbetriebsetzung darf nur durch eine fachmännische Person erfolgen. Die Oberfläche dieses Produktes kann im Betrieb warm werden. Keine Sorge, das ist ganz normal. Dieses Produkt ist wartungslos. Bei Störungen, kontaktieren Sie unsere technische Abteilung. Entsorgen Sie bitte dieses Produkt normgerecht. Ziehen Sie nicht am Kabel um das Produkt aufzuheben oder zu bewegen. Montage nur von Fachpersonal unter Einhaltung der landestypisch relevanten Normen und Richtlinien der anzuwendenden Technik.

**IT**

**NOTE ED ISTRUZIONI DI SICUREZZA**

**! ATTENZIONE :** Leggere attentamente questo manuale prima dell'installazione e/o dell'uso del prodotto. La non osservanza delle istruzioni e delle raccomandazioni può causare rischi di ferite personali e/o danni materiali. L'installazione del prodotto deve essere effettuata solo da personale Professionale Qualificato. Quando il prodotto è in funzione, la superficie del prodotto stesso può riscaldarsi: non preoccupatevi, ciò è normale. Questo prodotto non necessita di manutenzione. In caso di problemi, contattare il nostro servizio tecnico. Non abbandonare il prodotto, ma mettetelo in un luogo specifico per il riciclaggio. Non tirare o sollevare il prodotto dal cavo. I prodotti devono essere installati da personale professionale seguendo le regolamentazioni del paese d'installazione.

**SP**

**NOTAS E INSTRUCCIONES DE SEGURIDAD**

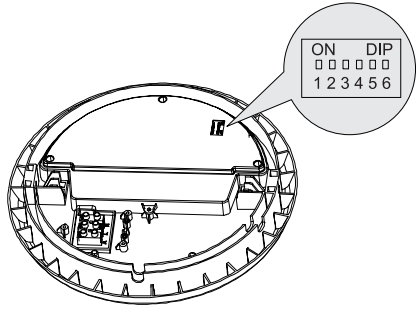
**! ATENCIÓN :** Lea atentamente esta guía antes de instalar, usar el producto. El incumplimiento de las instrucciones y recomendaciones pueden constituir un riesgo de lesiones personales y / o daños materiales. El producto debe ser instalado por personal profesional. Cuando la luminaria está funcionando, es normal que la superficie del producto se caliente, no se preocupe. Este producto no necesita mantenimiento. En caso de tener problemas, contacte con nuestro servicio técnico. No tire este producto, llévelo a un lugar específico/ apropiado para su reciclaje. No tirar o levantar el producto cogiéndolo del cable. Los productos deben ser instalados según el reglamento en vigor del país de instalación por un profesional cualificado.

**NL**

**VEILIGHEID AANTEKENINGEN EN INSTRUCTIES**

**! OPGEPAST :** Gelieve eerst aandachtig de handleiding te lezen voor installatie en/of gebruik zoals hierna omschreven. Het niet in acht nemen van de instructies en aanbevelingen kan een verhoogd risico op blessures en/of schade aan materieel met zich meebringen. De installatie mag enkel gebeuren door een daarvoor gekwalificeerd persoon. Wanneer de verlichting werkt, kan de oppervlakte warm worden. Wees niet ongerust, dit is normaal. Dit product heeft geen onderhoud nodig. Bij panne gelieve onze technische dienst te verwittigen. Gelieve dit product niet weg te gooien maar naar een recycleage punt te brengen. Nooit trekken, noch het product op heffen aan de kabel. De artikelen moeten door een gekwalificeerd persoon geïnstalleerd worden volgens de regels geldig in het desbetreffend land.

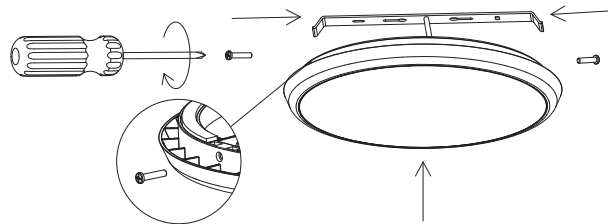
4



ON DIP  
0 0 0 0 0 0  
1 2 3 4 5 6

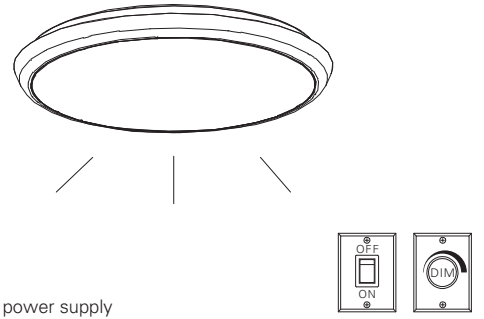
For **Adjustable Sensor Model**, please select the sensor mode before mounting to ceiling or wall, refer sensor setting section for more info.

5



Mount ceiling light into the right place

6



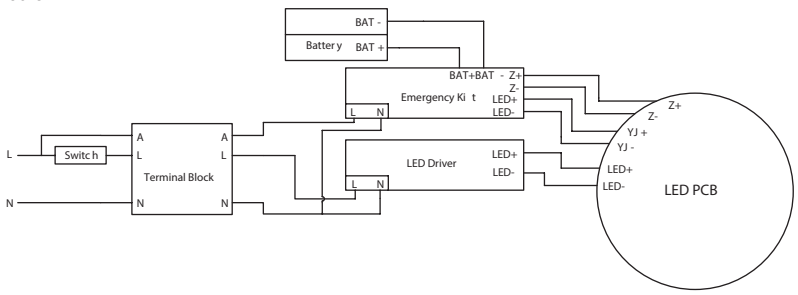
Switch ON power supply

Wiring Diagram

**Emergency**

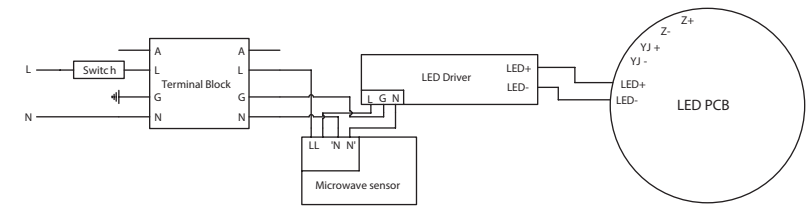
Emergency function switches automatically between power cut and power restoration.

- Li battery, high efficiency
- Battery duration: 3 hours
- Charge period: 24 hours



**Sensor**

**Detection area:**  
140 degree wide detective beam angle with 5-7 meters distance.



Microwave Sensor

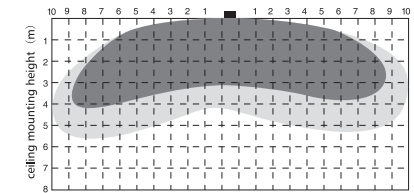
- In any given lighting condition, the light switches on automatically when presence detected.
- After presence left, light will continuously work within HOLE TIME, then switch off automatically.
- After presence left, any movement detected within HOLD TIME, the light will continuously work for another hold time, then switch off until next movement detected.
- Hold time: Please refer to "HOLD TIME" on product label.

Daylight & Microwave Sensor

- With sufficient natural light, when illuminance is more than 10lux, the light does not switch on when presence detected.
- With insufficient natural light:
  - > When illuminance is less than 10lux, the light switches on automatically when presence detected.
  - > With presence detected, light will never switch off, even the nature light is sufficient.
  - > After presence left, any movement detected within HOLD TIME, the light will continuously work for another HOLD TIME, then switch off automatically until next movement detected.
- Hold time: Please refer to "HOLD TIME" on product label.



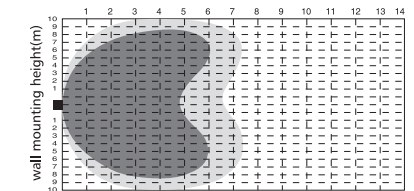
Sensor



Ⓢ Ceiling Mounting pattern (Unit: m)



Daylight



Ⓢ Wall Mounting pattern (Unit: m)

■ High detection area □ Low detection area

Adjustable Sensor Setting (DIP Switches On The Back Of Ceiling Light)

Detection Area		
1	2	
● ●		25%
●		50%
●		75%
		100%

**Detection area:**

Detection area can be reduced by selecting the combination on the DIP switches to fit precisely each application.

Hold Time		
3	4	
● ●		10Min
●		3Min
●		60S
		20S

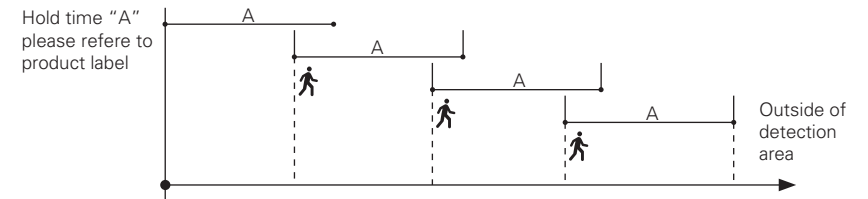
**Hold time:**

Refers to the time period the lamp remains at 100% illumination after no motion detected.

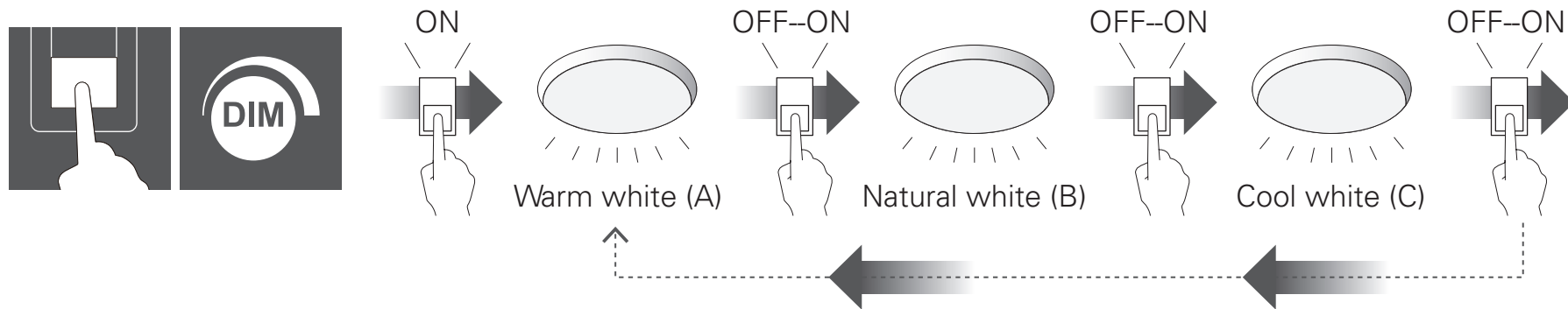
Daylight Sensor		
5	6	
● ●		5Lux
●		10Lux
●		50Lux
		Disable

**Daylight sensor:**

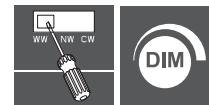
The sensor can be set to only allow the lamp to illuminate below a defined ambient brightness threshold. When set to Disable mode, the daylight sensor will switch on the lamp when motion is detected regardless of ambient light level. 50lux: twilight operation, 10lux, 5lux: darkness operation only.



Color Changeable (Controlled By Regular Switch) And Dimmable



1. First switch on with initial color A
2. Second switch on, change into color B
3. Third switch on, change into color C
4. Fourth switch on, step backward to color A
5. Triac dimmable is available once a color has been selected



**Color changeable (controlled by Slide Switch in lamp) and dimmable**

Please select light color before mounting to ceiling or wall

**Note:**

- The initial color can be customized upon request.
- When light is on, switch off within 0-2S, color changes from A~C.
- When light is on, continuously switch on and off for 4 times, restore to factory settings. Note: every single switch on and off is carried out within 2 seconds.
- When light is on, switch off after 2S, memory function is activated. Color remains the same for the next operation.